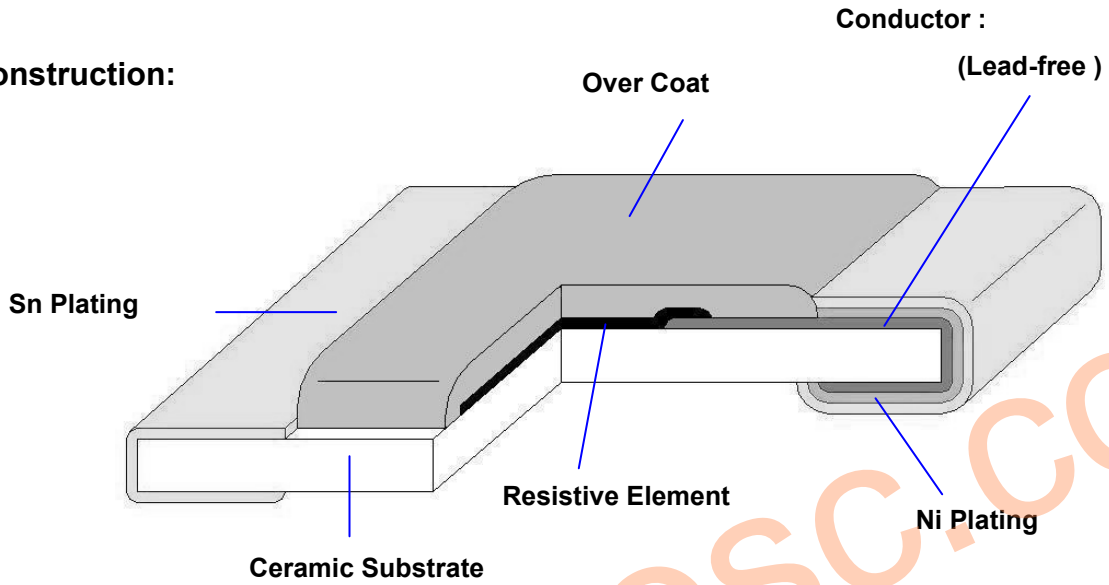


TA-I	Alloy Film Chip Resistors	Document No	TRL-100S050E
	Low Resistance (50-91 mΩ)	Issued date	2014/02/19
	Halogen-Free	Page.	1 / 9

1. Scope :

This specification applies for the RL10(0805) of alloy film chip resistors made by TA-I.

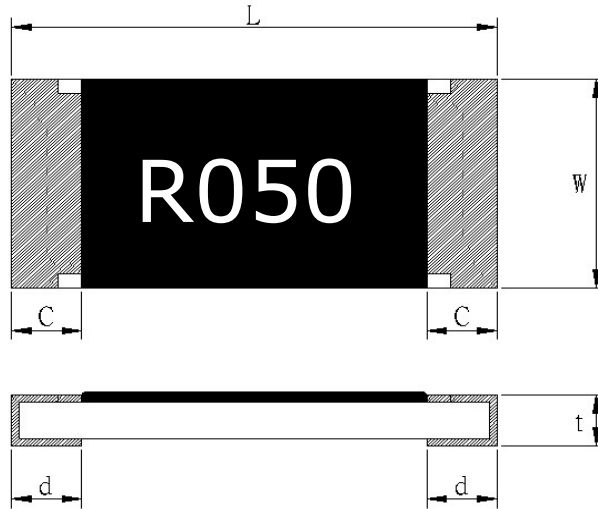
2. Construction:



3. Type Designation:

<u>RL</u>	<u>10</u>	<u>F</u>	<u>TN</u>	<u>R050</u>
Product Code	Size	Tolerance	Packaging	Nominal Resistance
RL : Chip Resistor	Power Rating	/	/	/
10-0805(2012) 1/4W	J- ±5% G- ±2% F- ±1%	TN-Lead Free & Paper Tape	4 Digits e.g., (E24) R050=50mΩ	

4. Dimensions:



UNIT: mm

Type	L	W	C	d	t
RL10	2.00 ±0.10	1.25 ±0.10	0.40 ±0.20	0.35 ±0.20	0.50 ±0.10

5. Ratings & Characteristics :

Characteristics	Feature	Measurement Method
	RL10	
Power Ratings (W)	1/4W	JIS Code 3A / JIS Code 3D
Resistance Value (mΩ)	50~91	Refer to JIS C 5201-1-4.5
T.C.R (ppm/°C)	±800	Refer to JIS C 5201-1-4.8
Operation Temperature Range	-55 ~ +155	
Resistance Tolerance (%)	± 1, ± 2, ± 5	JIS C 5201-1-4.2.5
Insulation Resistance (MΩ)	Over 100	Refer to JIS C 5201-1-4.6
Maximum Working Voltage (V)	$(P * R)^{1/2}$	

Note : Except for the above standardized products, we also provide the customized products.

TA-I	Alloy Film Chip Resistors Low Resistance (50-91 mΩ) Halogen-Free	Document No	TRL-100S050E
		Issued date	2014/02/19
		Page.	3 / 9

5.1 Derating Curve :

For resistors operated at ambient temperature over 70°C , power rating shall be derated in accordance with figure 1.

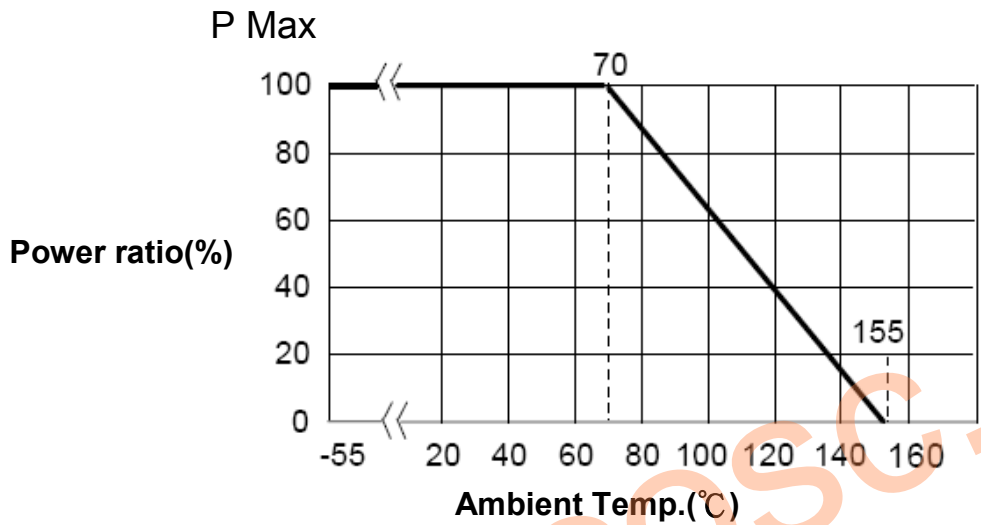


Figure 1

5.2 Rated Voltage:

The rated voltage is calculated by the following formula:

$$E = \sqrt{P * R}$$

E=Rated Voltage(V)

P=Rated Power(W)

R=Resistance Value(Ω)

6. Reliability Tests:

Test Items	Reference standard	Condition of Test	Test Limits
Temperature Coefficient of Resistance	IEC60115-1-4.8 JIS-C5201-1-4.8	-55 ~ +125 °C	Refer to paragraph 5
Short Time Overload	IEC60115-1-4.13 JIS-C5201-1-4.13	2.5 X rated voltage, 5s	1%:± (1%+0.005 Ω) 2%,5%:± (3%+0.005 Ω)
Load Life	IEC60115-1-4.25.1 JIS-C5201-1-4.25.1	1000 hours at rated power , 70°C , 1.5hours "ON " , 0.5hour "OFF"	1%:± (1%+0.001 Ω) 2%,5%:± (3%+0.001 Ω)
Load Life with Humidity	IEC60115-1-4.24 JIS-C5201-1-4.24	1000 hours at rated power , 40 ± 2°C , 90 ~ 95% RH 1.5hours "ON " , 0.5hour "OFF"	1%:± (1%+0.001 Ω) 2%,5%:± (3%+0.001 Ω)
Rapid Change of Temperature	IEC60115-1-4.19 JIS-C5201-1-4.19	- 55°C (30 min.) / +155 °C (30 min.) 5 cycles	± 1%+0.005 Ω
Resistance to Soldering Heat	IEC60115-1-4.18 JIS-C5201-1-4.18	270 ± 5°C solder , 10 ± 1 sec dwell .	± 1%+0.005 Ω
Solderability	IEC60115-1-4.17 JIS-C5201-1-4.17	245±5°C solder, 2±0.5 sec dwell. Solder : Sn96.5 / Ag3.0 / Cu0.5	At least 95% of surface area of electrode shall be covered with new solder.
Robustness of Termination (Bending Strength)	IEC60115-1-4.33 JIS-C5201-1-4.33	3mm deflection	± 1%+0.005Ω
Resistance to Dry Heat	IEC60115-1-4.23.2 JIS-C5201-1-4.23.2	155 ± 5°C for 96 ± 4hrs	1%: ± (1%+0.005 Ω) 2%,5%:± (2%+0.005 Ω)

Note* :RCWV : Rated continuous working voltage .

7. Marking

Resistance value is expressed by 4 digits, the first "R" means decimal point and the other digits represent for the normal resistance in Ω.

e.g., R050 =50 m Ω

TA-I

**Alloy Film Chip Resistors
Low Resistance (50-91 mΩ)
Halogen-Free**

Document No

TRL-100S050E

Issued date

2014/02/19

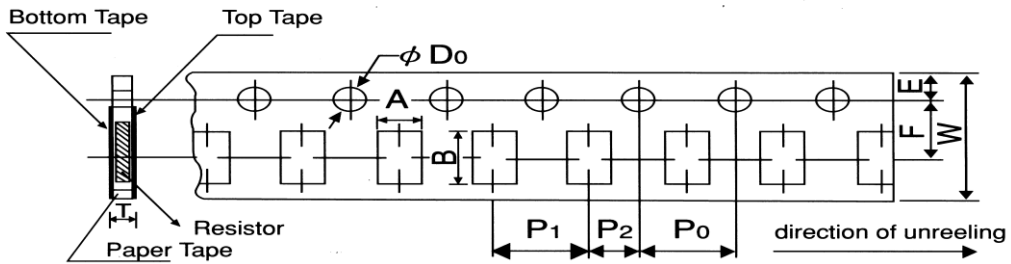
Page.

5 / 9

8. Taping & Reel

8.1 Taping Dimensions

8.1.1 4 mm pitch paper

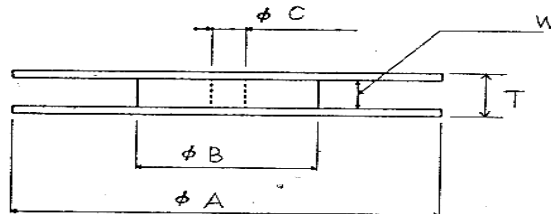
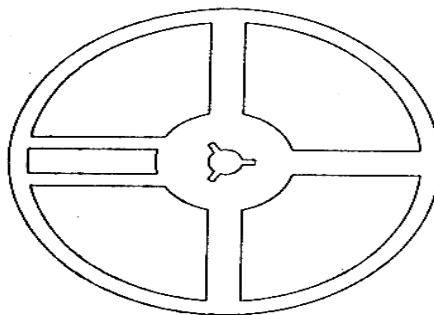


Packing	Type	A	B	W	F	E	P ₁	P ₂	P ₀	D ₀	T
Paper Tape	RL10	1.6 ±0.15	2.4 ±0.2	8.0 ±0.2	3.5 ±0.05	1.75 ±0.1	4.0 ±0.1	2.0 ±0.05	4.0 ±0.1	φ 1.5 ^{+0.1} ₋₀	0.84 ±0.1

UNIT: mm

Type Size		Paper Tape
		4 mm pitch
		178mm/R
RL	10	5000

8.2 Reel Specifications



TA-I

**Alloy Film Chip Resistors
Low Resistance (50-91 mΩ)
Halogen-Free**

Document No

TRL-100S050E

Issued date

2014/02/19

Page.

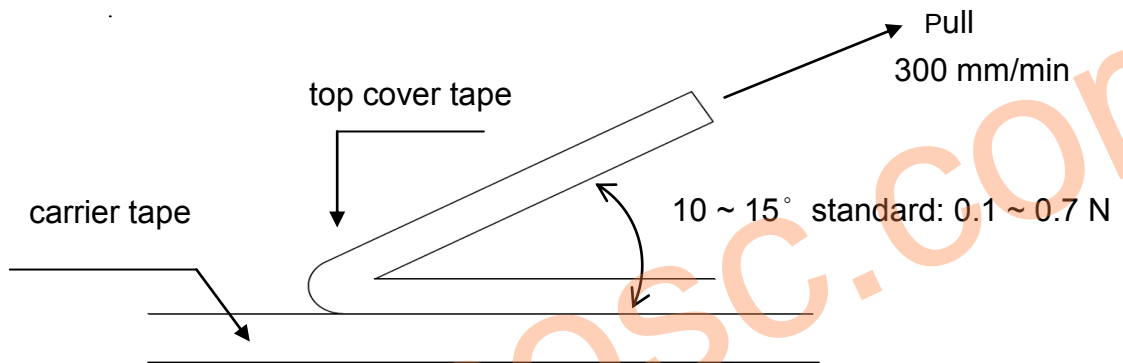
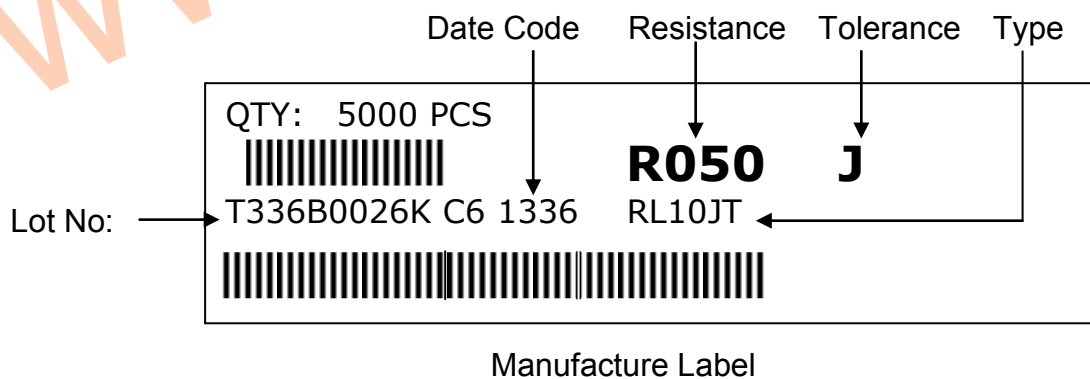
6 / 9

UNIT: mm

Series	ϕA	ϕB	ϕC	W	T
RL 10	178 \pm 2.0	60.0 \pm 1.0	13.0 \pm 1.0	9.0 \pm 1.0	11.5 \pm 1.0

8.3 Peel –off force :

Peel –off force of paper and blister tape is in accordance with “ JIS-C5202 ”
that is , 0.1 to 0.7 N at a peel-off speed of 300 mm / minute.

**9. Label****9.1 Manufacture Label :**

TA-I

Alloy Film Chip Resistors
Low Resistance (50-91 mΩ)
Halogen-Free

Document No

TRL-100S050E

Issued date

2014/02/19

Page.

7 / 9


9.2 Customer Label(By customer request):

Lead-Free Products
↓
LEAD FREE

TA-I TECH

Product Spec. → 0805 5%(T) 0.05Ω

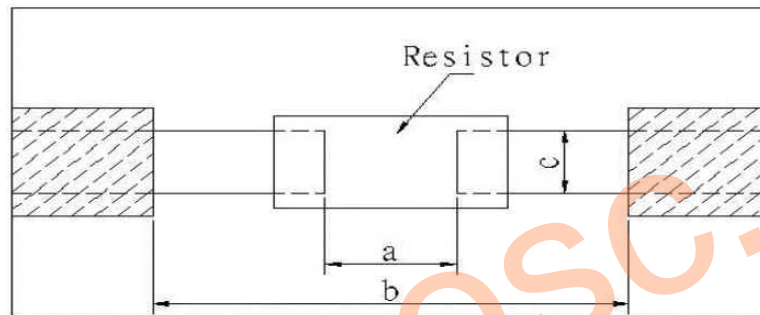
Customer No: → 105A702723 RL10JTNR050



04.05.21 ← Date

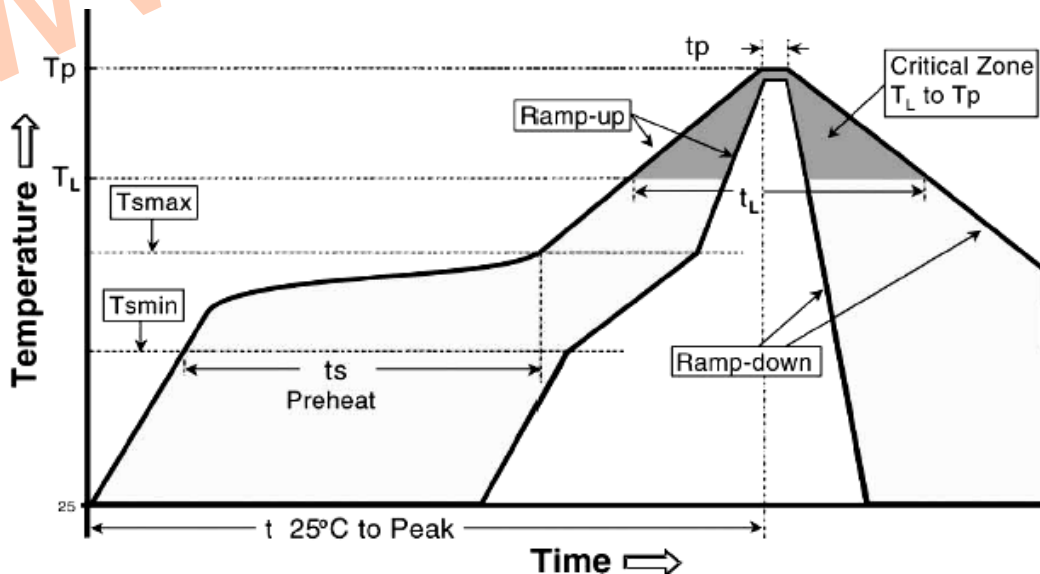
↑ ↑
Year Month

10. Recommended land patterns



Land pattern		Dimension (mm)		
Type	Size	a	b	c
RL	10 (0805)	1.0~1.4	3.2~3.8	0.9~1.4

11. Recommend IR – Reflow profile : (Lead-Free solder : Sn96.5 / Ag3 / Cu0.5)



TA-I	Alloy Film Chip Resistors	Document No	TRL-100S050E
	Low Resistance (50-91 mΩ)	Issued date	2014/02/19
	Halogen-Free	Page.	8 / 9

Profile Feature	Lead (Pb)-Free Assembly
Average ramp-up rate (T _{smax} to T _p)	3°C / second max.
Preheat - Temperature Min (T _{smin}) - Temperature Max (T _{smax}) - Time (T _{smin} to T _{smax}) (ts)	150°C 200°C 60 -150 seconds
Time maintained above : - Temperature (T _L) - Time (T _L)	217°C 60-120 seconds
Peak Temperature (T _p)	260°C
Time within $\begin{matrix} +0 \\ -5 \end{matrix}$ °C of actual Peak Temperature (tp) ²	10 seconds
Ramp-down Rate	6°C/second max.
Time 25°C to Peak Temperature	8mimutes max.

Alloyed Re-flow times : 3 times

Remark : To avoid discoloration phenomena of chip on terminal electrodes, please use N2 Re-flow furnace .

12. Storage Conditions:

Temperature: 5°C~35°C, Humidity:40%~75%

13. Shelf Life:

2 years from manufacturing date

14. ECN

Engineering Change Notice: The customer will be informed with ECN if there is significant modification on the characteristics and materials described in Approval Sheet.

TA-I	Alloy Film Chip Resistors Low Resistance (50-91 mΩ) Halogen-Free	Document No	TRL-100S050E
		Issued date	2014/02/19
		Page.	9 / 9

15. Manufacturing Country & City :

TA-I TECHNOLOGY CO., LTD. (Taiwan– Tao Yuan)

Tel: 886-3-3246169 Fax : 886-3-3246167

Associated companies :

(1) FORTUNE TASK RESISTOR FACTORY (China – Dongguan)

Tel : 86-769-8339-4790~3 Fax : 86-769-8339-4794

(2) TA-I TECHNOLOGY (DONGGUAN) CO., LTD. (China –Dongguan)

Tel : 86-769-8339-4790~3 Fax : 86-769-8339-4794

(3) TA-I TECHNOLOGY (SU ZHOU) CO., LTD. (China – Su Zhou)

Tel :86- 512-63457879 Fax : 86-512-63457869

(4) TAI OHM ELECTRONICS (M) SDN. BHD. (Malaysia – Pulaupinang)

Tel :604- 3900480 Fax : 604-3901481

(5) P.T.TAI ELECTRONICS Indonesia (Indonesia – Jakarta)

Tel :62-21-89830123 Fax : 62-21-89830703